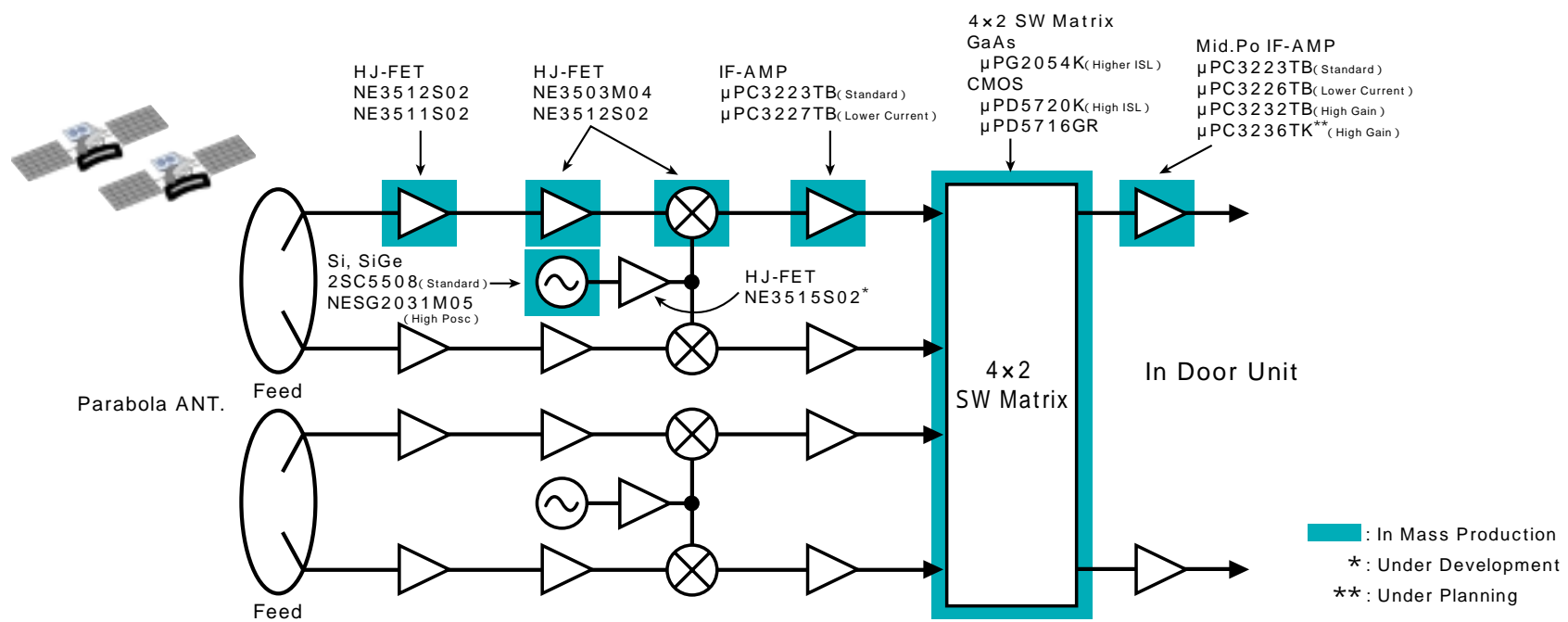


衛星放送受信アンテナLNB用 高周波デバイス

RF Devices for Receiver Antenna LNB on Satellite Broadcast Systems

トータルRFデバイスソリューション提供が可能

BS/CS LNB推奨デバイス構成例

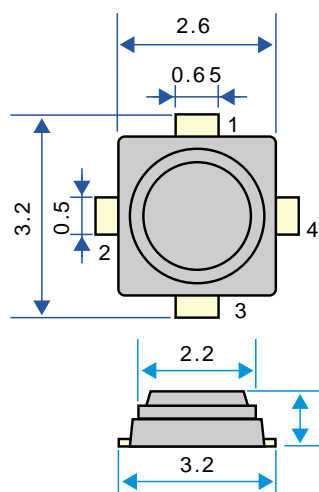


RF Devices for DBS LNB

	HJ-FET for LNA			HJ-FET, Si BJT/ SiGe HBT		Si MMIC	GaAs/CMOS MMIC
	NF typ	Ga typ	Part Number	MIX. Lo Buffer	Local OSC.	IF-AMP	SW Matrix
DirecTV	0.30	13.5	NE3511S02	< MIX >	Si BJT 2SC5508 2SC5606	<High Gain> μPC3232TB μPC3225TB μPC3236TK**	4x2 SW Matrix
Echostar	0.35	13.5	NE3512S02	NE4210S01		SiGe HBT NESG2031M05 (High Posc)	<Low Current> μPC3226TB μPC3227TB
ASTRA	0.35	13.5	NE3210S01	NE3503M04	< Lo. Buffer > NE3515S02*		<Standard> μPC3224TB μPC3223TB μPC3215TB μPC2712TB μPC2711TB μPC2709TB
BS	0.5	13	NE4210S01				
X-KuBand f=12GHz	0.55	11.5	NE3503M04				
K-band f=20GHz	0.7 0.75	13.5 10	NE350184C NE3514S02				
Unit	dB	dB					

Recommended Device * : Under Development ** : Under Planning

New Products



LOW NOISE HJ-FET NE3515S02 New Plastic Hollow package

Concept
- X-Ku band Local Buffer Amp., Driver Amp.
- Pb(Lead)-Free Products

Performance
- NF = 0.35dB TYP./ 0.55 MAX.
- Ga = 12.5dB TYP./ 11dB MIN.
@ f=12GHz, V_{DS}=2V, I_D=10mA)
- Po(1dB) = +14 dBm TYP.
@ f= 12 GHz, V_{DS}= 3V, I_D= 25mA set

Pin Connection
1: Source 2: Drain
3: Source 4: Gate

DS : Available
MP : Dec. / '07

Under Development

Pb Free Products